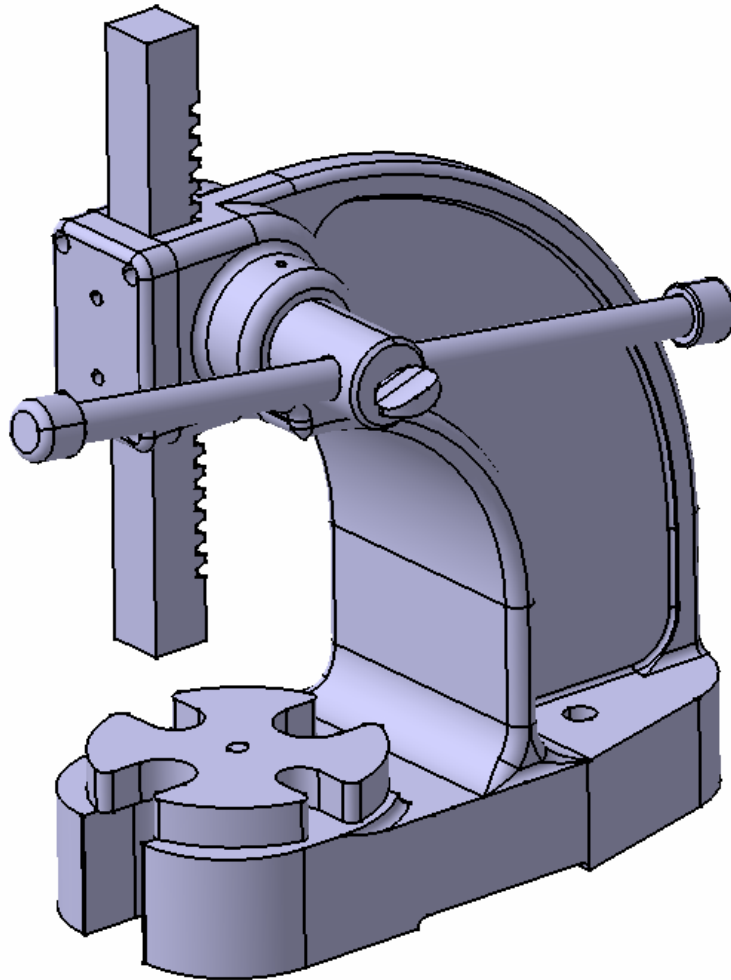


ADVANCED

CATIA V5 Workbook



By:
Richard Cozzens
Southern Utah University
www.suu.edu/cadcam

SDC
PUBLICATIONS
Schroff Development Corporation

www.schroff.com

www.schroff-europe.com

www.catiav5workbook.com